

Harmony Community Development District

Steve Berube, Chairman
Ray Walls, Vice Chairman
David Farnsworth, Assistant Secretary
Kerul Kassel, Assistant Secretary
Mark LeMenager, Assistant Secretary

Gary L. Moyer, District Manager
Tim Qualls, District Counsel
Steve Boyd, District Engineer

Revised Regular Meeting Agenda Thursday, June 30, 2016 @ 6:00 p.m.

1. **Roll Call**
2. **Audience Comments**
3. **Approval of the Minutes of the May 26, 2016 Meeting**
4. **Subcontractor Reports**
 - A. Landscaping
 - i. Davey Tree Monthly Highlight Report
5. **Developer's Report**
6. **Staff Reports**
 - A. Engineer
 - B. Attorney
 - C. Field Manager
 - i. Facilities Maintenance (Parks, Ponds, Boats, etc.)
 - ii. Facilities Usage (Boat & Others)
 - iii. Facebook Activities
 - iv. Pond Report
7. **District Manager's Report**
 - A. Financial Statements for May 31, 2016
 - B. Invoice Approval #194, Check Register and Debit Invoices
 - C. Acceptance of the Arbitrage Rebate Report
 - D. Questions and Comments on the Proposed Fiscal Year 2017 Budget
8. **Approval of Facility Usage Applications**
 - A. 5K Fundraiser
 - B. Football Season Jamboree
9. **Topical Subject Discussions**
 - A. Discussion of Plat O-1
 - B. Discussion of Solar Sculpture
10. **Supervisors' Requests**
11. **Adjournment**

NOTES: The next meeting is scheduled for Thursday, July 28, 2016 at 6:00 p.m.

Ninth Order of Business

9B.

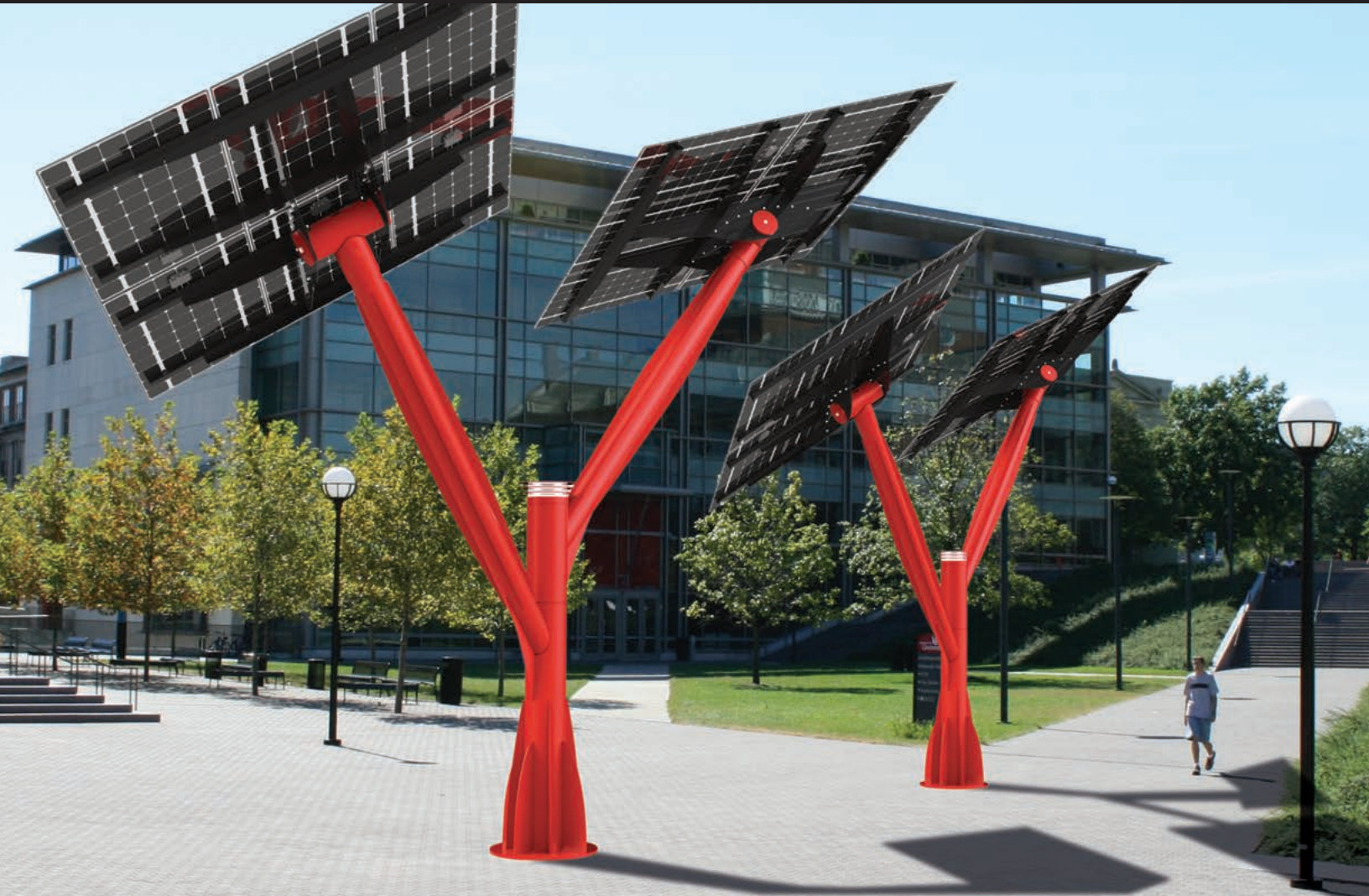
From: Kramer, Justin S. [mailto:JKramer@ouc.com]
Sent: Tuesday, June 28, 2016 9:28 AM
To: Brenda Burgess <brenda@moyer-group.com>
Subject: Harmony CDD Solar Sculpture

Here is the information for the meeting.

OUC is considering Harmony as a location for a Solar Sculpture. OUC wants to make solar a part of their customer's day to day lives by installing the structures in key locations that will reach their customers. OUC will cover the installation and maintenance of the structure, we would only require an easement to locate the structure and required wiring. We would also return any disturbed land back to original conditions. If Harmony is interested and OUC selects them as a location, we will move forward with a contract for a set term with auto renewals. We look forward to the opportunity to present this concept to the CDD and look forward to fielding any questions they might have. Attached are two possible locations. These are just quick demonstrations of possible locations. OUC would still need to do a full evaluation of each site for cost and exposure. Thanks again for your time.

Justin Kramer, PE, LEED AP
Renewable Energy Project Manager
Orlando Utilities Commission
407-304-6918

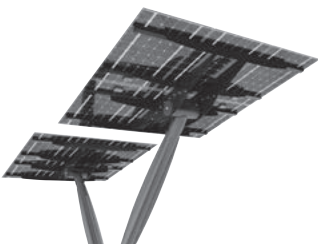
Lift

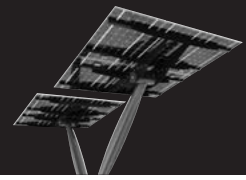


Clean Energy Elevated

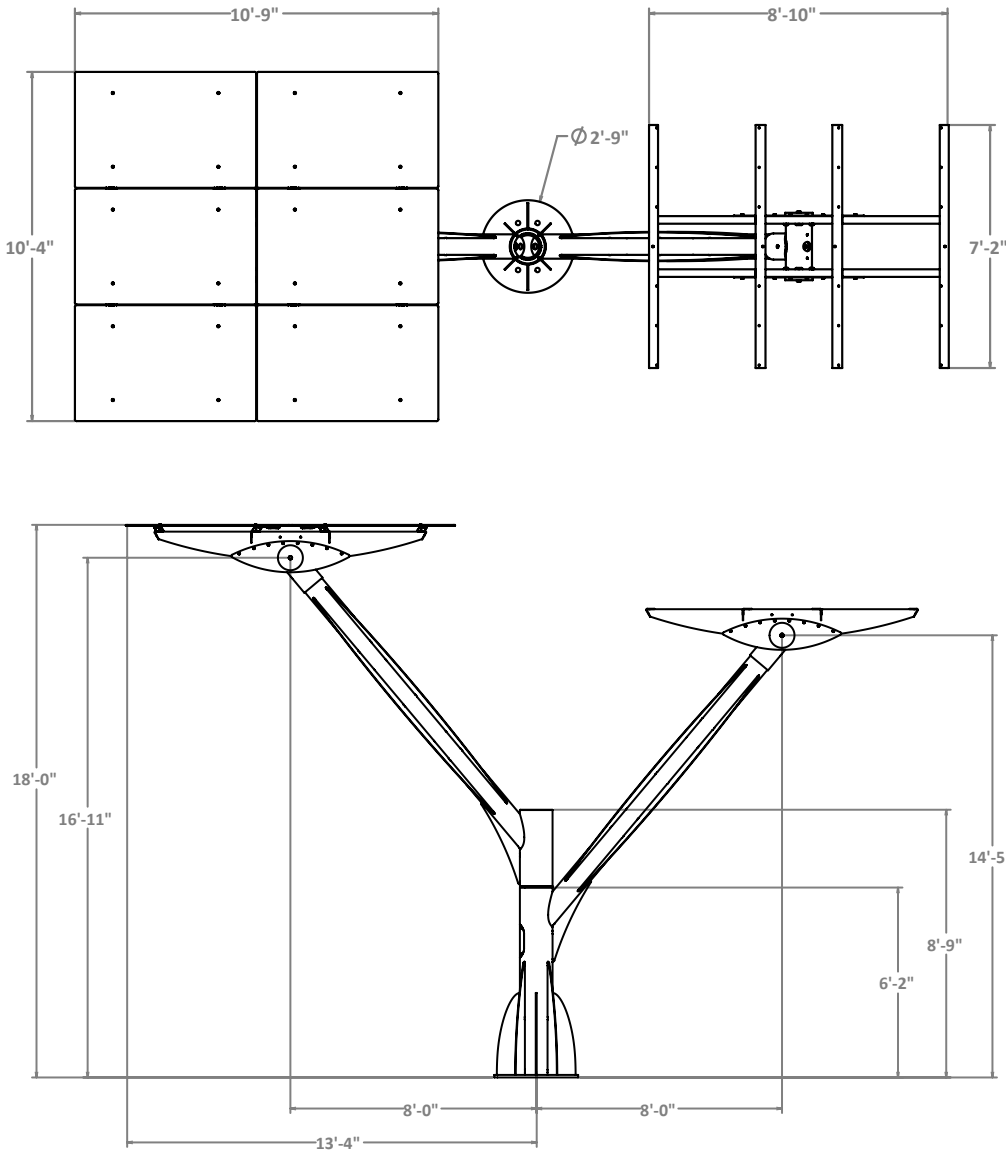
Lift by Spotlight Solar makes a statement – of stewardship. Designed to complement a rooftop solar system or other environmental investments, it reminds people of all the beneficial things you do. Installed in a prominent place, **Lift** will inspire people to make their own positive impact.

Lift's modular design provides flexibility and enhances your site. Position its arms and solar panels to balance energy production and aesthetics. Even color-coordinate with your building. Add lighting, power outlets, or a touch-screen – so people can learn about solar as they stand in the shade of beautiful clean energy.





Dimensions and specifics of frame depend on the solar panels selected.*



Specifications	
Warranty	10 year limited warranty
Maximum height (top array at vertical angle)	24' 6"
Total weight	2,480 lbs. (ships in pieces, heaviest of which is 975 lbs.)
Wind load rating	100 MPH (140 MPH version available)
Material	Recycled steel
Finish (contact Spotlight for color selection)	Mil spec high performance coating
Solar panel recommendation*	Lumos LSX frameless with clear backsheet (array frames can be resized with a custom order for other solar panels)
<p>Provided by Spotlight Solar: mounting structure, module attachment hardware, installation and orientation guidelines</p> <p>Provided by solar integrator: PV modules, inverter, wiring, foundation, electrical design, installation, permitting, site-specific engineering</p>	
Configuration	Product Number
1-arm (6 panels)	LFT-103081 (Lumos)
2-arm (12 panels)	LFT-103082 (Lumos)
3-arm (18 panels)	LFT-103083 (Lumos)
Accessories	
Light kit - trunk	LFT-110001
120V outlet	LFT-120001
Monitoring software and service	Contact Spotlight Solar for details of our monitoring solutions optimized for public placements. Demos available at spotlightsolar.com
Touch-screen display, PC	
Monitoring system mounting kit	

Certified Spotlight Solar is up to something good.

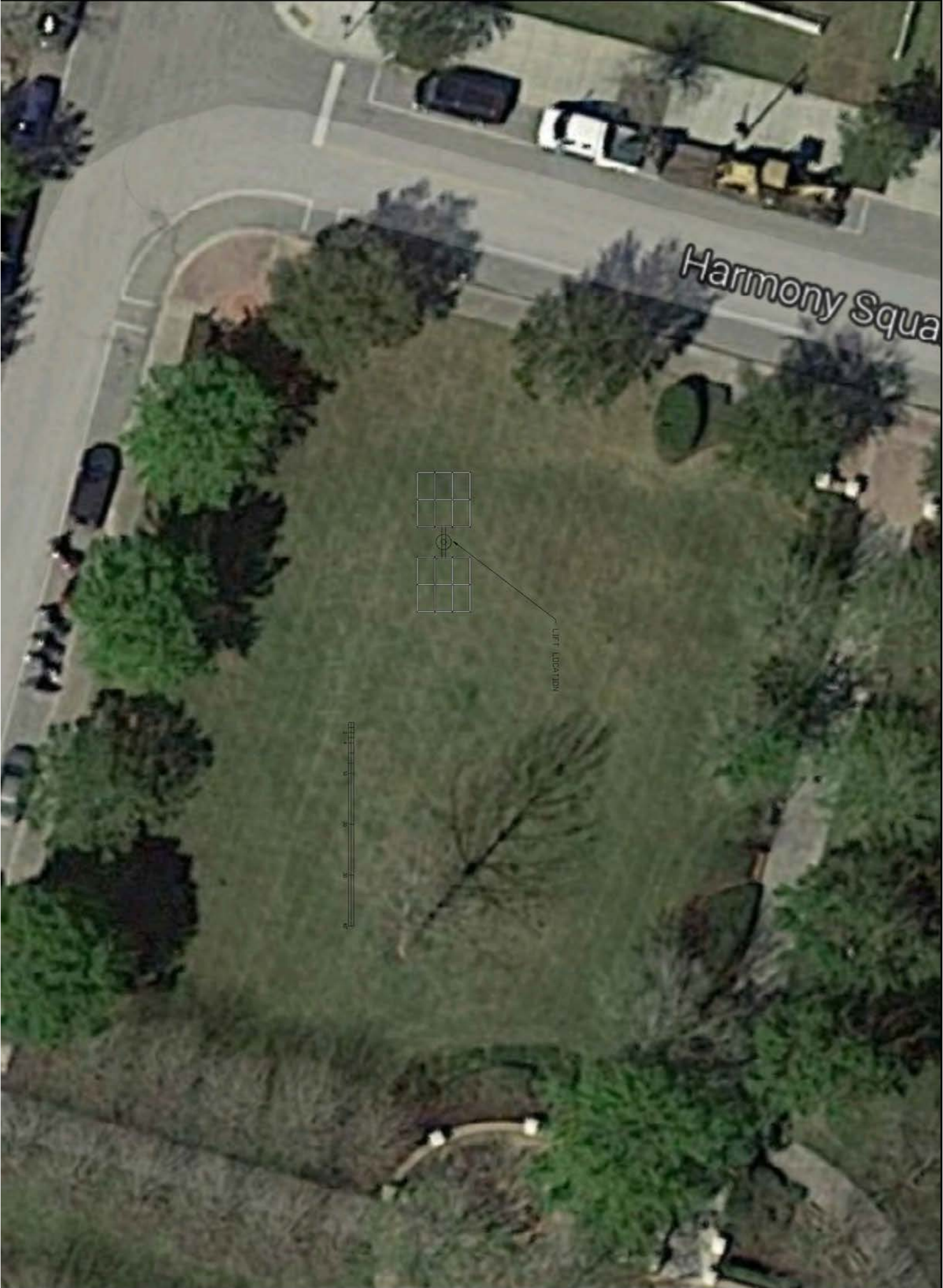
 Spotlight Solar is dedicated to making solar energy visible and attractive. We don't replace rooftop systems; we complement them. Our ambition is to promote the adoption of solar energy by enhancing its image, and by making it more top-of-mind.

Corporation
bcorporation.net

* Spotlight Solar recommends Lumos frameless crystalline panels, offering superior aesthetics.

Lift is PE stamped for structural engineering.

Installation shown on cover is simulated.
Updated 11.20.2012.



Harmony Squa



LIFT LUBRATION



HARMONY SOLAR SCUPTURE

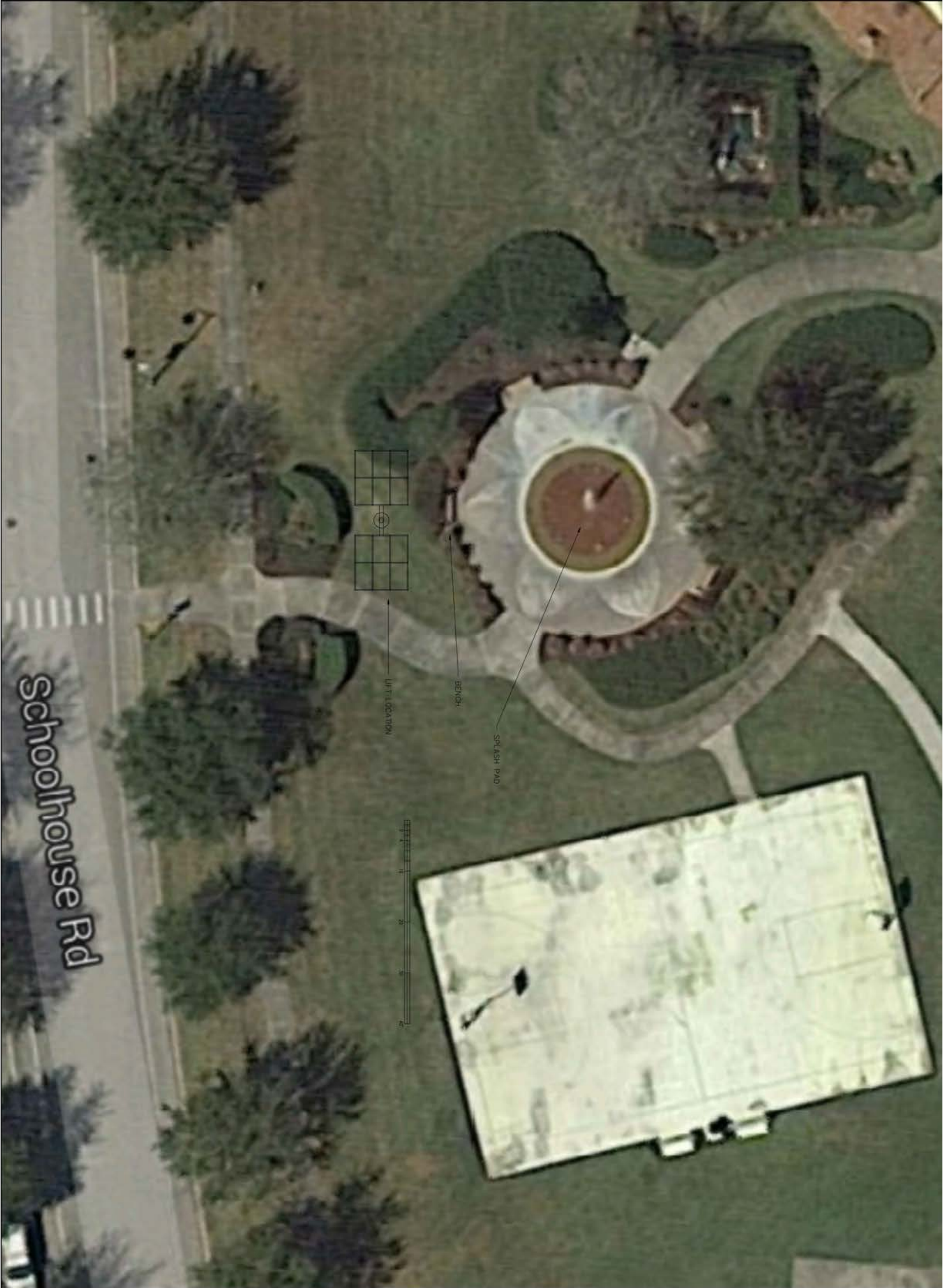
HARMONY, FL

THESE PLANS ARE FOR BUILDING DEPARTMENT REVIEW ONLY. THEY ARE AS CONSTRUCTION DOCUMENTS UNTIL ALL BUILDING DEPARTMENT REQUIREMENTS ARE OBTAINED. OUC ENGINEERING, INC. 1715 S. UNIVERSITY AVENUE, SUITE 1715, GAINESVILLE, FL 32609. COPYRIGHT 2016.

REVISIONS

DESIGNED BY	OUC
CHECKED BY	OUC
SCALE	AS NOTED
DATE	06/13/2016

SHEET NO.



Schoolhouse Rd

SPLASH PAD
 BENCH
 LIFT LOCATION



HARMONY SOLAR SCUPTURE

HARMONY, FL

THESE PLANS ARE FOR REVIEW ONLY. THEY ARE NOT TO BE USED FOR CONSTRUCTION. APPROVALS ARE OBTAINED BY ENGINEERING, INC. FOR ALL PROJECTS. COPYRIGHT 2018.

REVISIONS	DATE	DESCRIPTION

DRAWN BY	OUC
CHECK BY	OUC
SCALE	AS NOTED
DATE	08/13/2018

SHEET NO.



